

Unisto Hi-Genius



The ISO 17712 certified and C-TPAT compliance High Security Bolt Seal is the number one solution to seal Freight Containers, Truck Doors, Trailers and Goods Wagons. Very popular in the Shipping, Transport, Air Cargo and Retail industries. A tensile strength of more than 1000 kg prevents opportunistic theft. Removal requires special bolt cutters. Permanent marking of customer name and consecutive numbering or barcode for fast, accurate data capture. Available in a range of plastic colours.

Features of this security seal

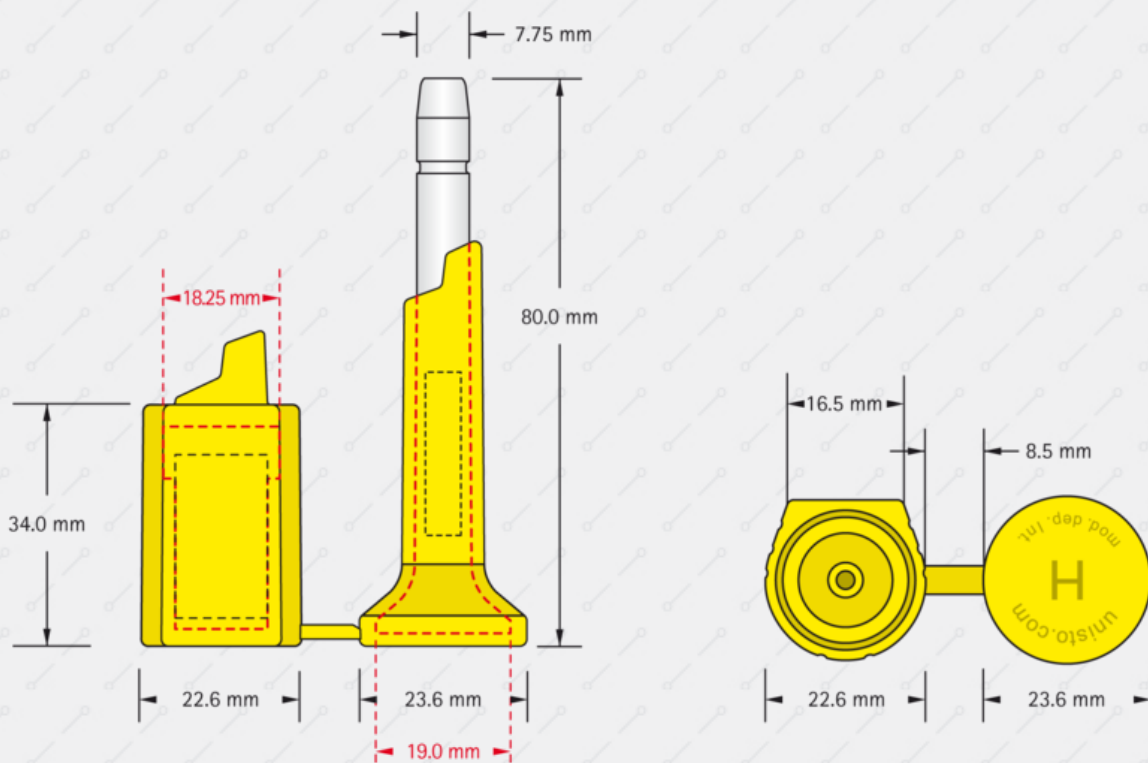
Type of Seal

Bolt Seals

Application

Container

- › Interlocking petals when closed provides evidence of attempted tampering by spinning
- › Steel locking body increases security level
- › Steel components excel the requirement of a minimum diameter of 18 mm
- › Pulling force 1'000 kg minimum prevents opportunistic theft
- › Customer name /logo for clear identification
- › Laser engraved numbering - impossible to change, increases security level
- › Numbers on bolt and body prevents substitution of component parts
- › Hi-Genius is fully ISO 17712:2013 compliant, incl. clause 6 "Testing for Evidence of Tampering"



Materials

Bolt: steel, silver zinc pattern
 Body and spring: steel
 Coating: Acrylonitrile Butadiene Styrene (ABS)

Tensile strength

Above 10 kN (1000kg)

Numbering

up to max. 7 digits

Barcoding

barcode 128, interleaved 2/5, others on request

Customer name/logo

Directly laser marked

Plastic colours (laser)

blue, yellow, green, white, light red

Packing

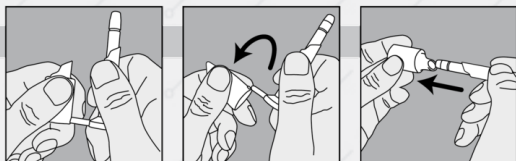
10 pieces per tray, 200 seals per carton 20 pieces per box, 200 seals per carton

Packing size

inner box 280 x 59 x 87 mm

carton	tray type	405 x 210 x 215	mm	16.0kg
	box type	310 x 298 x 190	mm	17.7kg

How to close



How to open

